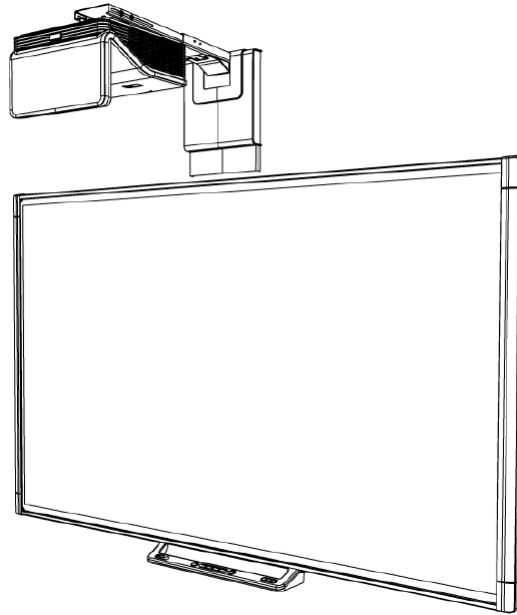


SMART[®]



***Service Parts
Diagrams***

**For Model:
SBM680i6
SBM685i6**

Service Parts Diagrams Revision History

Revision 1 - October, 2013

- New document

Revision 2 - November, 2013

- Change 20-01623-20 to 1013576
- Add 1022201

Revision 3 - January, 2014

- Add FRU-CAM-SBM680-A, FRU-CAM-SBM680-B, FRU-CAM-SBM685-A, FRU-CAM-SBM685-B and FRU-DSP-SBM600
- Change 52-00745-20 to 1009826

Revision 4 - March, 2014

- Add 20-01495-20

Revision 5 - October, 2014

- Change projector warranty from two years to three years

Revision 6 - February, 2017

- Add 1022762

Standard Warranty Terms

Base Product: Your interactive whiteboard has a two-year limited equipment warranty. The projector has a three-year limited equipment warranty. The UF70/UF70w projector lamp has a 1000-hour/one-year warranty.

First Customer Ship: October, 2013

SMART Technologies

3636 Research Road NW
Calgary, AB T2L 1Y1
CANADA

Support +1.403.228.5940 or Toll Free 1.866.518.6791 (Canada/U.S.)

Support Fax +1.403.806.1256

www.smarttech.com/contactserviceparts www.smarttech.com

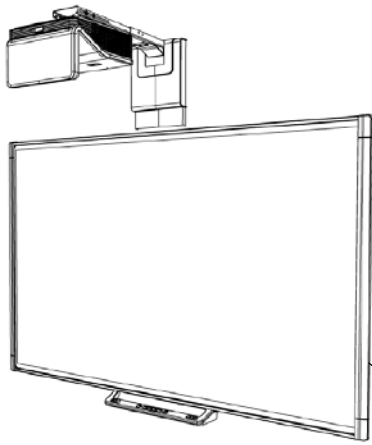


Service Parts Diagrams for the SBM680i6 and SBM685i6

Identifying Your Product Using the Serial Number	1
Ordering Parts	1
SBM680i Parts	2
SBM685i Parts	3
Optional Video Connector Kit Assembly for SB600/SBM600 Series (Part No. 20-01495-20)	4
Optional Board Mounting Hardware Kit (Part No. 1020342)	5
UF70/UF70w Parts	6
Optional Projector Mounting Hardware Kit Assembly (Part No. 1013576)	8

Identifying Your Product Using the Serial Number

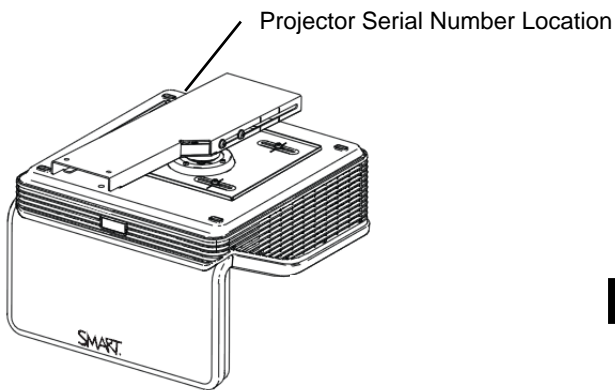
To make sure that you have the correct service parts diagrams, you must verify the serial number of your SBM680i6 or SBM685i6 interactive whiteboard. The SMART Board serial number will be located on the side of the right hand bezel. When mounted, the projector serial number will be visible on the back of the projector. An example of the serial number format is shown below.



SMART Board Serial Number Location

Unique Serial Number

C002FW11A0103



Projector Serial Number Location

Unique Serial Number

B011FF05Q0108

Ordering Parts

Customers

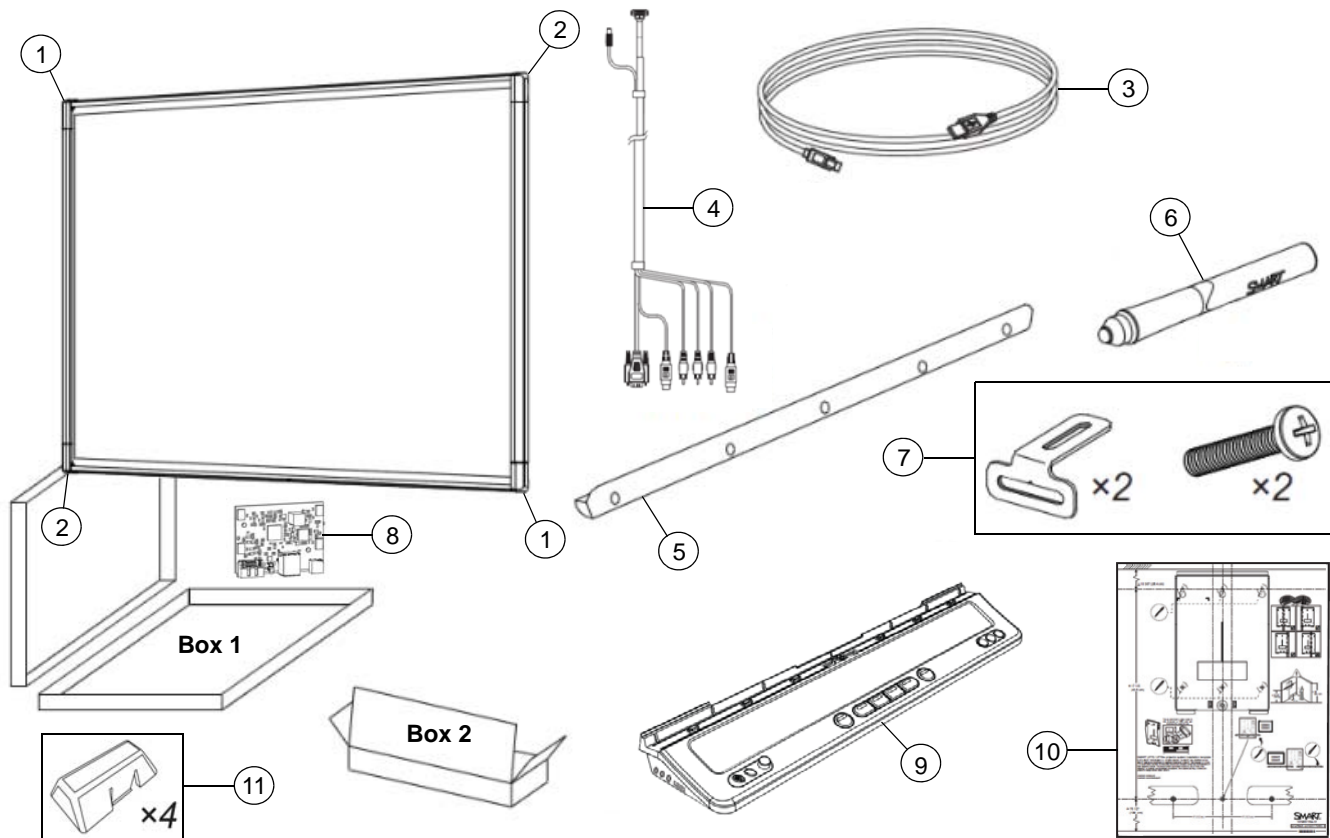
To order any of the parts in these service parts diagrams, contact your local reseller. To find a reseller near you, visit www.smarttech.com/where.

Dealers and Distributors

For specific technical and pricing enquiries in regards to these diagrams please contact our service parts department. Pricing is also available on-line via the SOURCE website (source.smarttech.com).

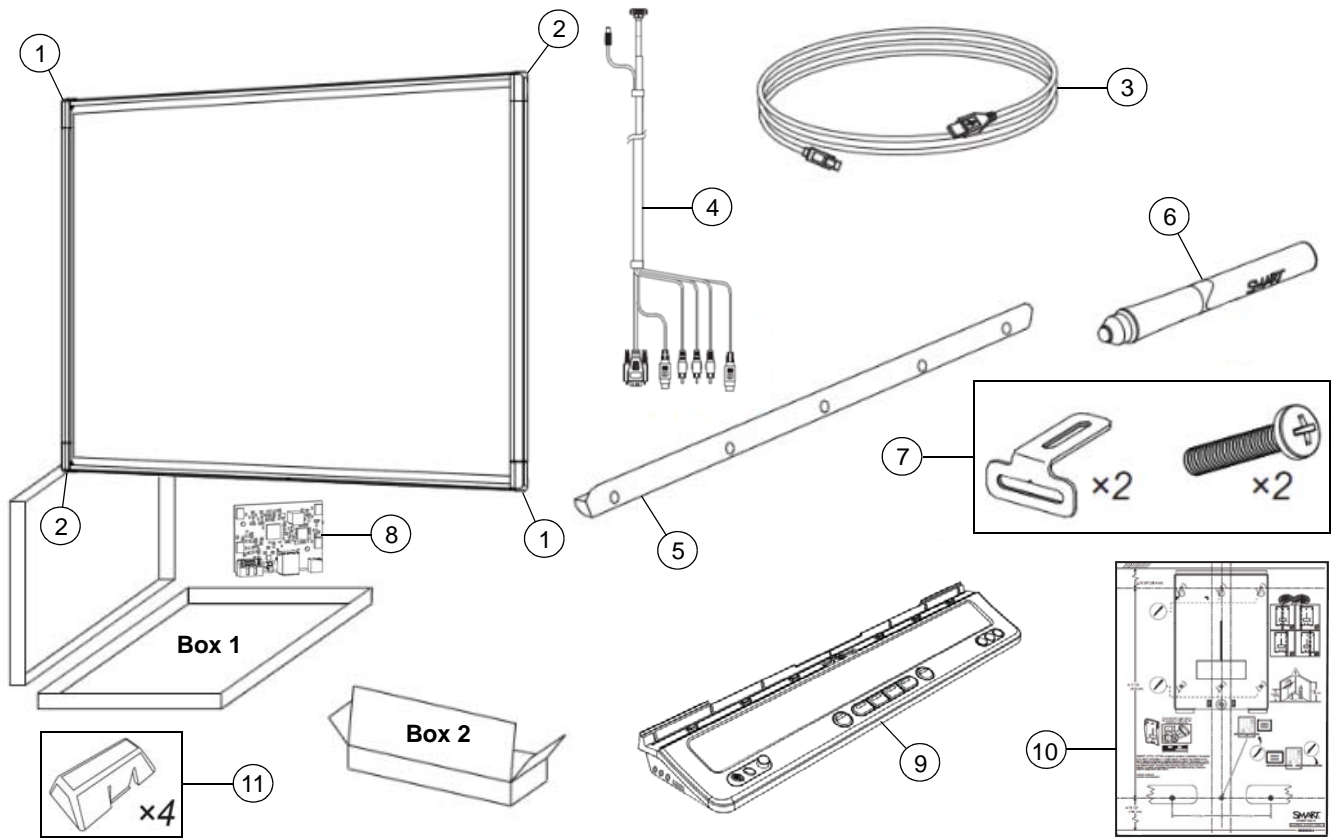
Web Form: www.smarttech.com/contactserviceparts
Phone: 1.888.42.SMART
International: +1.403.245.0333

SBM680i Parts



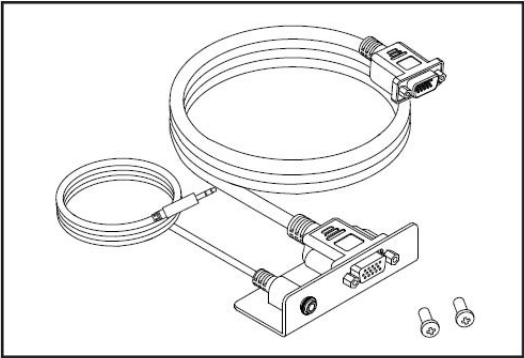
Item	Part No.	Qty	Description
1	FRU-CAM-SBM680-A	2	FRU, camera, SBM680, position 0 and 2
2	FRU-CAM-SBM680-B	2	FRU, camera, SBM680, position 1 and 3
3	93-00828-20	1	Cable, USB, A-B, 16' (5.0 m), SBX8
4	1019332	1	Cable, pen tray to projector, SBM6, 12' (3.65 m)
5	1009826	1	Bracket, wall mount, blue, SBX8/SBM6
6	RPEN-SBM6	1	Replacement Pens for SMART Board SBM600 Series - Set of Two
7	1020535	1	Assembly, SBM6 pen ledge / tray mounting hardware
8	FRU-DSP-SBM600	1	FRU, digital signal processor (controller), SBM600
9	FRU-PT-SBM600I	1	FRU, Pen Tray, SBM600i (with SMART projector controls)
10	1022201	1	Template, mounting, UF70-UF70w with SBM600
11	1022762	1	Kit, back corner spacer, SBM6 (set of four)

SBM685i Parts



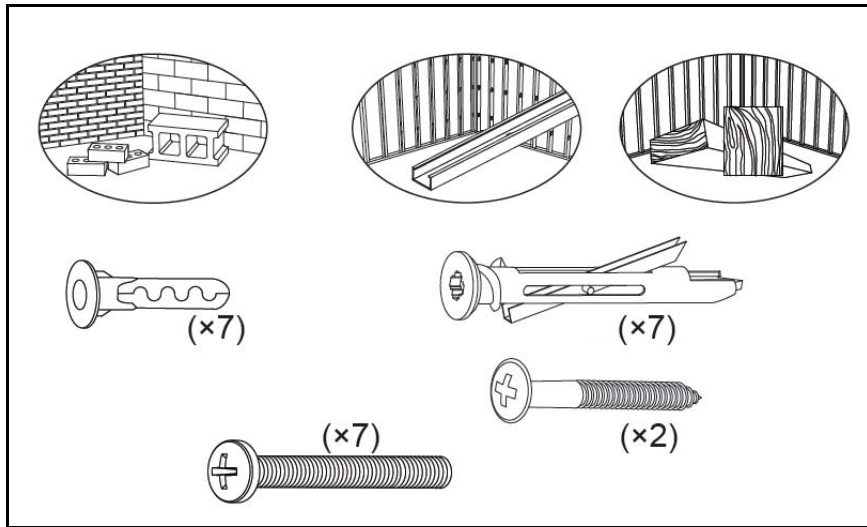
Item	Part No.	Qty	Description
1	FRU-CAM-SBM685-A	2	FRU, camera, SBM685, position 0 and 2
2	FRU-CAM-SBM685-B	2	FRU, camera, SBM685, position 1 and 3
3	93-00828-20	1	Cable, USB, A-B, 16' (5.0 m), SBX8
4	1019332	1	Cable, pen tray to projector, SBM6, 12' (3.65 m).
5	1009826	2	Bracket, wall mount, blue, SBX8/SBM6
6	RPEN-SBM6	1	Replacement Pens for SMART Board SBM600 Series - Set of Two
7	1020535	1	Assembly, SBM6 pen ledge / tray mounting hardware
8	FRU-DSP-SBM600	1	FRU, digital signal processor (controller), SBM600
9	FRU-PT-SBM600I	1	FRU, Pen Tray, SBM600i (with SMART projector controls)
10	1022201	1	Template, mounting, UF70-UF70w with SBM600
11	1022762	1	Kit, back corner spacer, SBM6 (set of four)

**Optional Video Connector Kit Assembly for SB600/SBM600 Series
(Part No. 20-01495-20)**

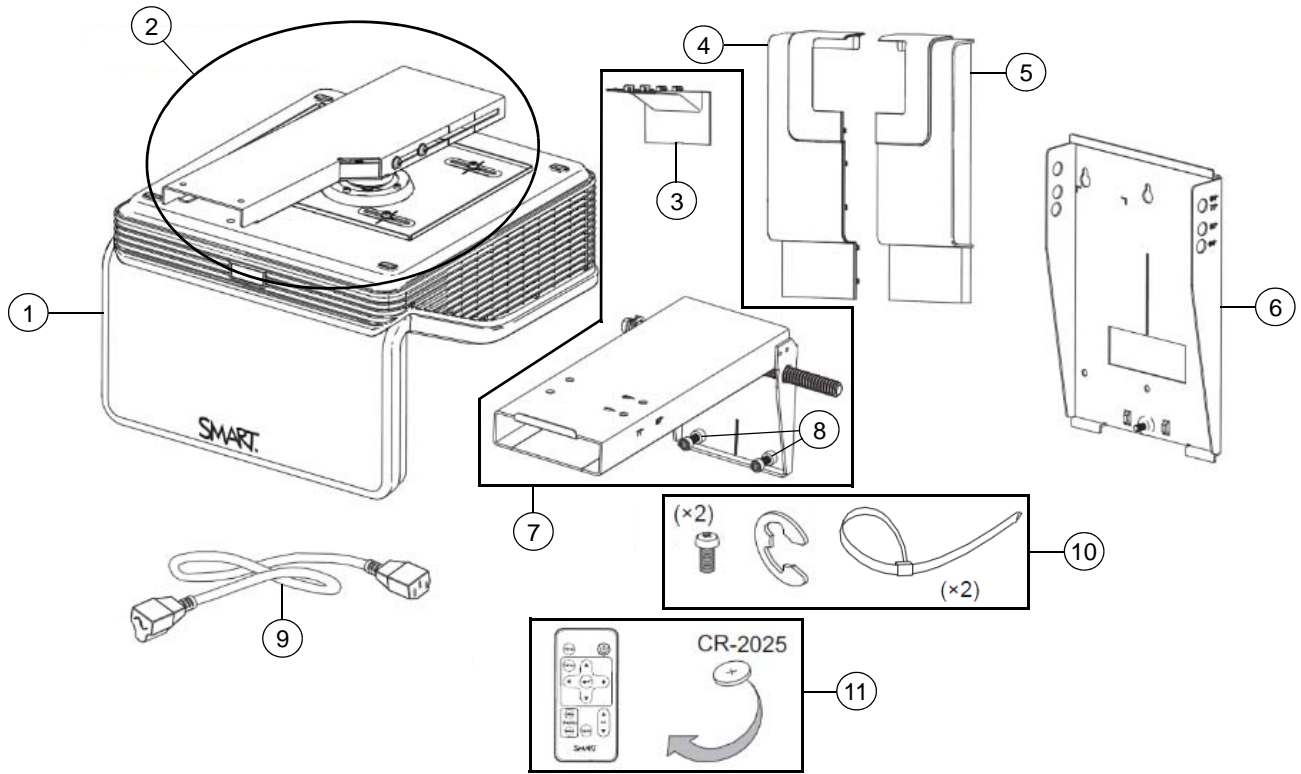


Optional Board Mounting Hardware Kit (Part No. 1020342)

NOTE: SBM685i6 requires two kits.



UF70/UF70w Parts



Item	Part No.	Qty	Description
1	FRU-UF70-PJR	1	FRU, UF70 projector only NOTE: Includes projector and item 2.
1	FRU-UF70w-PJR	1	FRU, UF70w projector only NOTE: Includes projector and item 2.
2	1019482	1	Assembly, projector boom, front, UF70/UF70w NOTE: Comes attached to the UF70/UF70w projector.
3	1016967	1	Cover, wire, UF70/UF70w
4	1019759	1	Cover, wall mount, left, UF70/UF70w
5	1019760	1	Cover, wall mount, right, UF70/UF70w
6	1019762	1	Plate, wall, UF70/UF70w
7	1019471	1	Assembly, projector boom, rear, UF70/UF70w, with cable cover NOTE: Includes items 3, 7 and 8.
8	30-01401-20	2	Screw, M6 x 35 mm, hex socket, cap head
9	93-00630-20	1	Cable, power, North America, 14' 9" (4.5 m)
9	93-00632-20	1	Cable, power, United Kingdom, 14' 9" (4.5 m)
9	93-00631-20	1	Cable, power, Europe, 14' 9" (4.5 m)
9	93-00629-20	1	Cable, power, Australia, 14' 9" (4.5 m)
9	93-00634-20	1	Cable, power, Japan, 14' 9" (4.5 m)
9	93-00633-20	1	Cable, power, China, 14' 9" (4.5 m)
9	93-00670-20	1	Cable, power, Korea, 14' 9" (4.5 m)

9	1018969	1	Cable, power, Singapore, 14' 9" (4.5 m)
9	1018970	1	Cable, power, India, 14' 9" (4.5 m)
9	1018971	1	Cable, power, Saudi Arabia, 14' 9" (4.5 m)
9	1018972	1	Cable, power, Brazil, 14' 9" (4.5 m)
10	1019761	1	Assembly, hardware kit, UF70/UF70w
11	03-00131-20	1	Remote control NOTE: Battery not included with replacement remotes.
Not shown	1020766	1	Door, lamp cover, UF70/UF70w NOTE: Comes attached to the UF70/UF70w projector.
Not shown	1020991	1	Replacement Lamp for UF70 and UF70w Projectors
Not shown	1021005	1	Assembly, hardware kit, front boom, UF70/UF70w NOTE: Used to attach item 2 to the projector.

Optional Projector Mounting Hardware Kit Assembly (Part No. 1013576)

