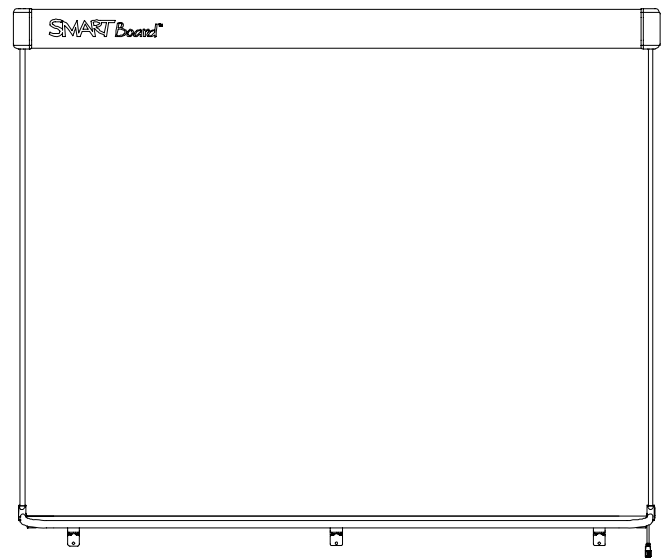


SMART™



Service Parts Diagrams

**For Model:
SBV280**

Service Parts Diagrams Revision History

Revision 1 - August, 2009

- New document

Standard Warranty Terms

Base product: Five-year limited equipment warranty upon registration.

First Customer Ship: September, 2008

SMART Technologies

3636 Research Road NW

Calgary, AB T2L 1Y1

CANADA

Support +1.403.228.5940 or Toll Free 1.866.518.6791 (Canada/U.S.)

Support Fax +1.403.806.1256

ServiceParts@smarttech.com www.smarttech.com

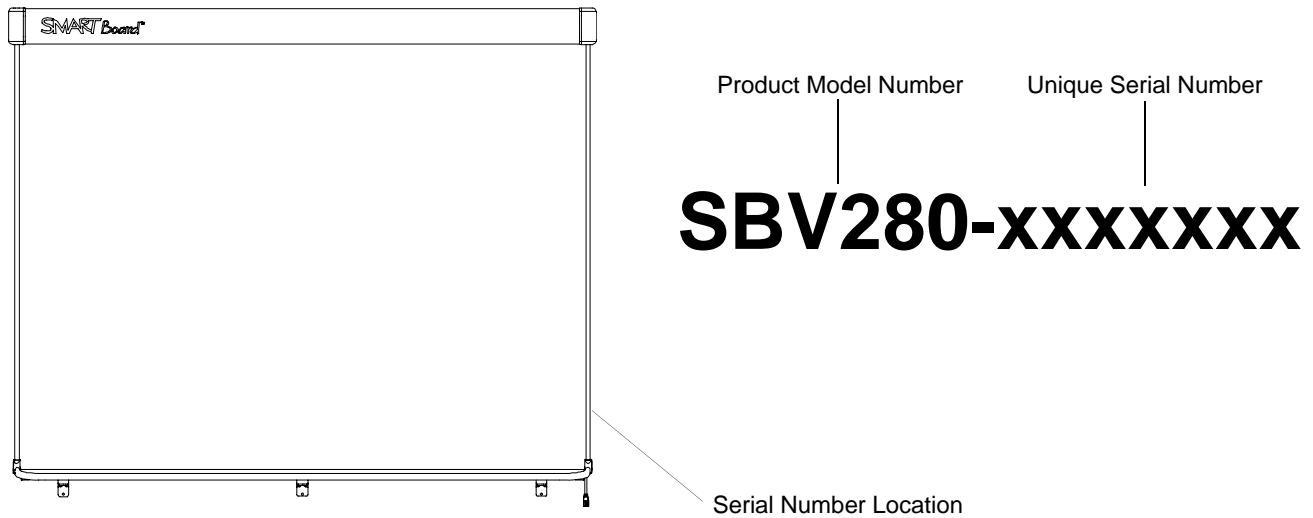


Service Parts Diagrams for the SBV280

Identifying Your Product Using the Serial Number 1
Ordering Parts 1
SBV280 Parts 2

Identifying Your Product Using the Serial Number

To make sure that you have the correct service parts diagrams, you must verify the serial number of your SMART Board interactive whiteboard. The serial number will be located on the right hand side as shown below. An example of the serial number format is shown below.



Ordering Parts

Customers

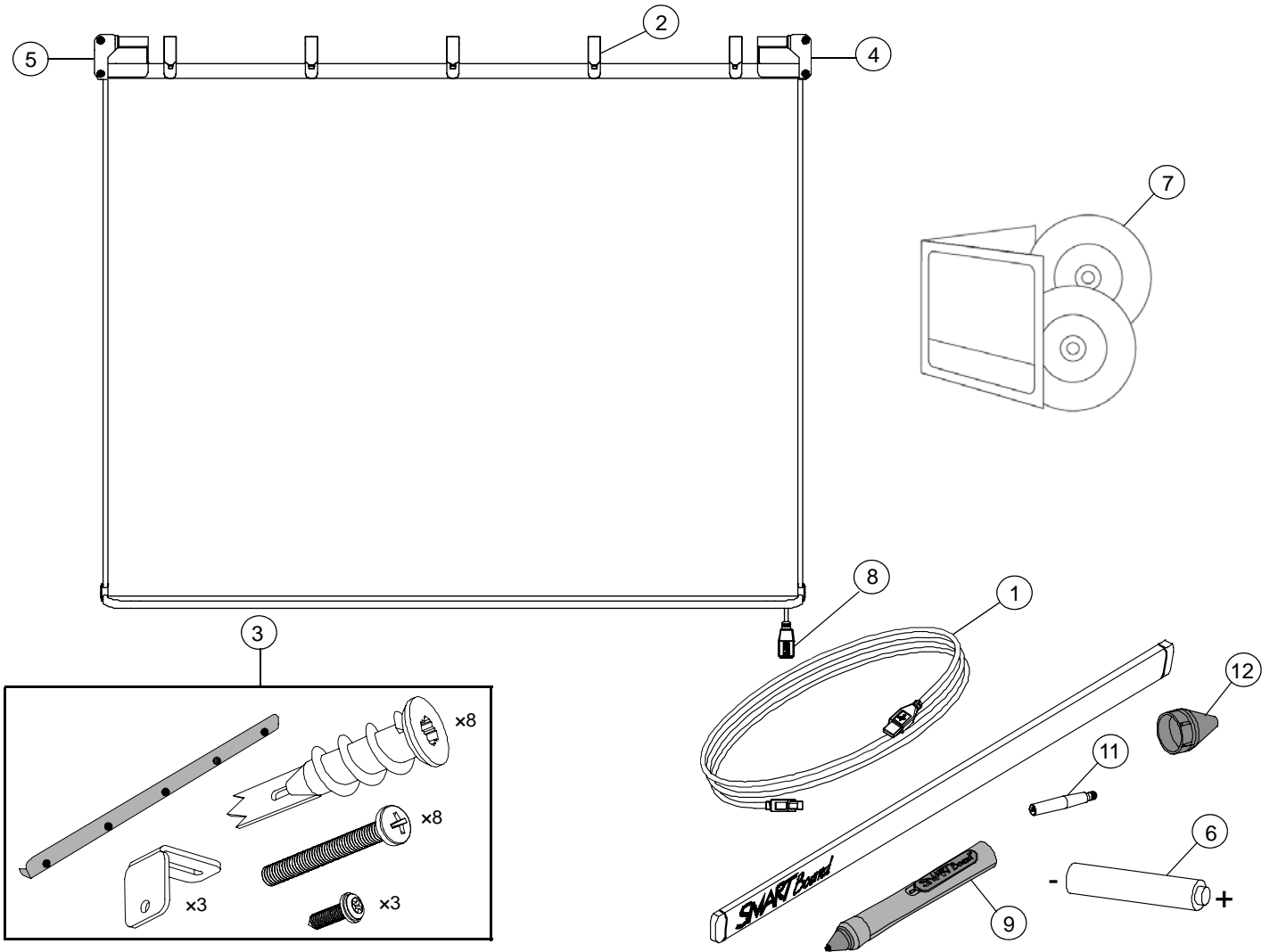
To order any of the parts in these service parts diagrams, contact your local reseller. To find a reseller near you, visit www.smarttech.com/where.

Dealers and Distributors

For specific technical and pricing enquiries in regards to these diagrams please contact our service parts department. Pricing is also available on-line via the SOURCE website (source.smarttech.com).

E-mail: serviceparts@smarttech.com
Phone: 1.888.42.SMART
International: +1.403.245.0333

SBV280 Parts



Item	Part No.	Qty	Description
1	93-00611-20	1	Cable, USB 2.0, A-B, 16' (5.0 m)
2	52-00421-20	5	Bracket, valence, SBV280
3	FRU-SBV280WM	1	FRU, wall mounting kit, SBV280
4	FRU-CAM-SBV280-R	1	FRU, camera, right, SBV280
5	FRU-CAM-SBV280-L	1	FRU, camera, left, SBV280
6	01-00257	2	Battery, AAA
7	20-00999-20	1	CD, software, SBV280
8	FRU-HUB-SBV280	1	FRU, hub, SBV280
9	RPEN-SBV280	2	Replacement pen for SBV280 NOTE: This kit also includes two pieces of item 11 and two pieces of item 12.
10	FRU-NIB-SBV280	1	FRU, nib, SBV280 NOTE: This kit includes five pieces of item 11 and five pieces of item 12.