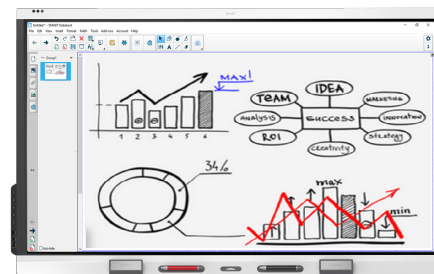


SMART Board 6000S series

SBID-6065S

SBID-6075S

SBID-6086S



Display	
Screen sizes (diagonal)	65", 75", 86"
Backlight	LED
Aspect ratio	16:9
Maximum display resolution	4K UHD (3840 × 2160)
Refresh rate	60 Hz
Lifespan	≥ 50,000 hours
Brightness (maximum)	≥ 350 cd/m ²
Response time	≤ 8 ms
Viewing angle	178°
Glass	Fully heat-tempered anti-glare glass that resists smudges and fingerprints
Glass thickness	4 mm
Frame color	White
Convenience buttons	Power, home, volume, screen shade, freeze frame
Sensors	Proximity, ambient light, infrared, room temperature and humidity ¹
Audio	2 integrated 20 W speakers

Interactive experience	
Touch technology	HyPr Touch™ with InGlass™
Touch features	Tool Explorer™ Simultaneous Tool Differentiation Object Awareness™ Pen ID™ Silktouch™
Typical response time	9 ms
Frame rate	150 Hz
Accuracy	1.5 mm (over 90% area)
Minimum object size	5 mm
Multitouch capabilities	20 – Windows® and Mac 10 – Chrome OS™
Tools included	Pens (x2) Erasers (x2)
Tool holders	Intelligent, magnetic, frame-mounted
Optional tools	Multicolor four-pen bundle Magic pen Highlighter pen

Software	
SMART Notebook®	Included
SMART Ink® and SMART Product Drivers	Included
SMART Learning Suite	Optional

smarttech.com
smarttech.com/contact

© 2022 SMART Technologies ULC. All rights reserved. SMART Board, SMART Notebook, SMART Ink, HyPr Touch, Tool Explorer, Object Awareness, Pen ID, Silktouch, smarttech, the SMART logo and all SMART taglines are trademarks or registered trademarks of SMART Technologies ULC in the U.S. and/or other countries. The Adopted Trademarks HDMI, HDMI High-Definition Multimedia Interface, and the HDMI Logo are trademarks or registered trademarks of HDMI Licensing Administrator, Inc. in the United States and other countries. All other third-party product and company names may be trademarks of their respective owners. This product and/or use thereof is covered by one or more of the following U.S. patents: www.smarttech.com/patents. Models and specifications may vary by region. Please contact your local representative for details. Contents are subject to change without notice. May 31, 2022.

¹Temperature and humidity data is not available when iQ features are disabled.

PC computing	
OPS support	✓
OPS-C support	✓
PC module power supported OPS	60 W
Optional computing modules	SMART OPS PC with Windows 10 Pro SMART Chromebox

Inputs	Front	Back
OPS PC accessory slot (60 W devices)	–	1
HDMI® 2.0 with HDCP 1.4 and HDCP 2.2 support	1	2
VGA video	–	1
Stereo 3.5 mm	–	1
RS-232	–	1
RJ45	–	2
USB 2.0 Type-A	–	1
USB 3.0 Type-A	2	1
USB 3.0 Type-B	1	3

Outputs	Front	Back
HDMI 2.0	–	1
Stereo 3.5 mm	–	1
S/PDIF	–	1
RS-232	–	1

Included cables and accessories	Qty
Country-specific power cable	1
16' 5" (5 m) USB 2.0 cable	1
Pens (red and black)	2
Erasers	2
External dual-band 2.4 and 5 GHz antennae	2
Remote control	1
AAA batteries	2
WM-SBID-200 wall mount	1
Illustrated installation instructions	1
Important information document	1

Connectivity	
Wired	RJ45 (x2) 100baseT

Storage and operating requirements	
Power requirements	100V to 240V AC, 50 Hz to 60 Hz
Operating temperature	41–95°F (5–35°C)
Storage temperature	–4–140°F (–20–60°C)
Humidity	5–80% relative humidity, non-condensing

Power consumption	
Typical	65": 92 W 75": 141 W 86": 172 W
Standby	< 0.5 W

Certification and compliance ²	
US / Canada	UL, FCC, ISED, TSCA, CONEG Packaging, Proposition 65
EU / EEA / EFTA / UK	CE, UKCA, LVD, CB, EMC, RED, REACH, RoHS, Battery, WEEE, Packaging, POP, Ecodesign
Australia / New Zealand	RCM
Performance standards	ENERGY STAR®, HDMI

Purchasing information	
Order number: SBID-6065S	SMART Board® 6065S interactive display
Order number: SBID-6075S	SMART Board 6075S interactive display
Order number: SBID-6086S	SMART Board 6086S interactive display
Order number: TS-4PEN-MC	Tool Explorer multicolor 4-pen bundle (orange, purple, green, blue) with magnetic penwell
Order number: TS-PEN-HLITE	Tool Explorer double-ended Highlighter (yellow & green)
Order number: TS-PEN-MAGIC	Tool Explorer Magic Pen
Optional accessories	See smarttech.com/accessories

²Product availability may vary by region.

This product has received additional certifications not listed here.

Warranty

SMART Assure warranty Includes advanced hardware replacement and access to onsite support. Terms and conditions vary by region. Contact your local reseller or distributor for information and visit smarttech.com/warranty.

Cable requirements

HDMI Certified premium high speed HDMI (18 Gbps)
Maximum length: 23' (7 m)

USB 2.0 USB 2.0 certified
Hi-Speed (480 Mbps) support
Maximum length: 16' (5 m)

USB 3.0 USB 3.0 certified
SuperSpeed (5 Gbps) support
Maximum length: 9' (3 m)

More information See smarttech.com/kb/171414

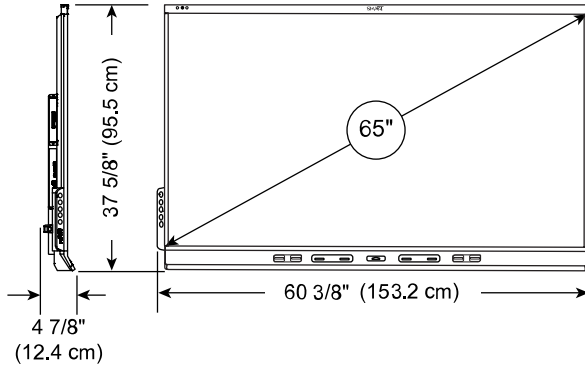
Installation, dimensions, and weights

Notes

- All dimensions $\pm 1/8"$ (0.3 cm). All weights ± 2 lb. (0.9 kg).
- Product ships upright.
- Leave space around the display to ensure adequate ventilation. See the *SMART Board 6000S and 6000S Pro installation and maintenance guide* (smarttech.com/kb/171414) for the specific space requirements.

SBID-6065S

Dimensions



Weight

112 lb. (51 kg)

Shipping dimensions (including pallet)

67 1/8" \times 46 1/2" \times 10 3/8"
(170.4 cm \times 118.1 cm \times 26.4 cm)

Shipping weight

159 lb. (72 kg)

VESA mount

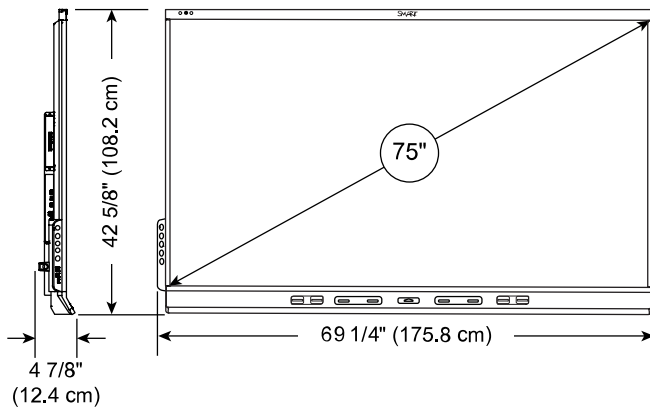
M8, 600 \times 400 mm

Handles

2

SBID-6075S

Dimensions



Weight

143 lb. (65 kg)

Shipping dimensions (including pallet)

76" \times 51 1/2" \times 10 3/8"
(193.1 cm \times 130.8 cm \times 26.4 cm)

Shipping weight

194 lb. (88 kg)

VESA mount

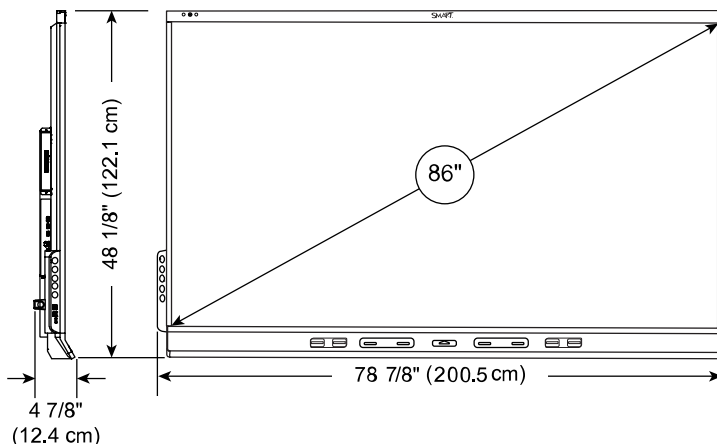
M8, 600 \times 400 mm

Handles

2

SBID-6086S

Dimensions



Weight

185 lb. (84 kg)

Shipping dimensions (including pallet)

86" \times 57" \times 10 3/8"
(218.6 cm \times 144.7 cm \times 26.4 cm)

Shipping weight

243 lb. (110 kg)

VESA mount

M8, 600 \times 400 mm

Handles

2