

Specifications

SMART Board® 7075 interactive display with iQ

Model SBID-7275

Overview

The SMART Board® 7075 interactive display with iQ is the hub of your classroom. iQ technology connects devices, lesson content and pedagogically relevant software to create a cohesive educational experience. PC-free embedded computing provides one-touch access to a diverse suite of SMART applications—Notebook lessons, workspaces, gamification activities and whiteboard—and collaborative tools, such as wireless screen sharing and a web browser. With minimal network integration, there's no need for wires, cables or manual software and firmware updates.



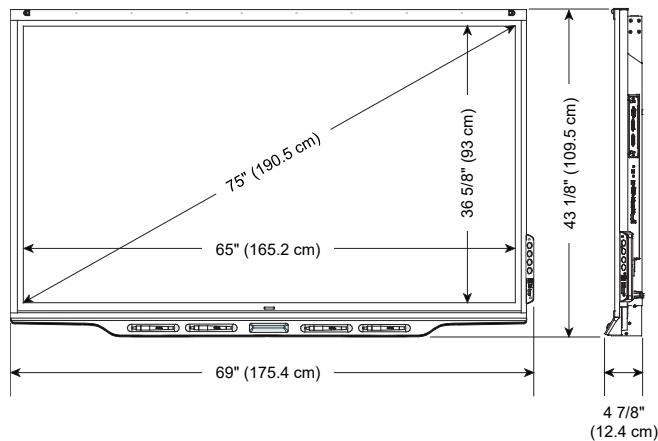
The 75" 4K ultra-high-definition LED display provides optimal image clarity and wide viewing angles. With the Pen ID™ feature, you can assign different appearances to the four pens and write or draw over any application in digital ink.

Object Awareness™ allows you to perform mouse functions with your finger, write in digital ink with the pen, and erase with your palm or eraser—all without switching tools or modes. You can use a variety of gestures in applications, and four users can write or draw at the same time.

See education.smarttech.com for more information.

Dimensions and weights¹

Dimensions



Weight

174 lb. (79 kg)

Shipping dimensions (including pallet)

75 3/8" × 54 1/4" × 11 3/4"
(191.6 cm × 137.8 cm × 30 cm)

Shipping weight

227 lb. (103 kg)



As an ENERGY STAR® certified signage display, the SMART Board 7075 interactive display meets strict energy efficiency guidelines set by the U.S. Environmental Protection Agency and Department of Energy.

¹All dimensions ± 1/8" (0.3 cm). All weights ± 2 lb. (0.9 kg).

Hardware

Interaction

Touch technology	HyPr Touch™ (Hybrid Precision Touch) proprietary hybrid system, which greatly improves upon its InGlass™ core by optimizing both touch and pen performance, resulting in virtually no lag and zero contact detect height
Multitouch capabilities	Up to 16 simultaneous interaction points (combination of 10 finger touch points, four pen touch points and two eraser touch points) ²
Object Awareness	Behavior adjusts automatically to the tool or object you're using, whether it's a pen, finger, eraser, or palm.
Pen ID	Four people can write independently and simultaneously, using different colored ink.

Display

Type	LED
Aspect ratio	16:9
Optimal resolution ("HDMI 1" input)	4K UHD (3840 × 2160) at 60 Hz
Horizontal frequency (typical)	135 kHz
Vertical frequency (typical)	60 Hz
Contrast ratio (typical)	5000:1
Brightness (maximum)	360 cd/m ²
Pixel dimensions	0.429 mm × 0.429 mm
Gamut	72% of NTSC
Viewing angle	178°
Response time (typical)	8 ms

100BASE-T Ethernet Two external ports for a four-port Fast Ethernet switched network connecting the interactive display and the iQ appliance to an external network and an external device, such as a computer

Presence detection Dual sensors that reduce startup time and power consumption during inactivity

Audio 10 W integrated speakers (×2)

Noise level <30 dBA

²Only up to 10 touch points and no pen or eraser support on Chrome OS™ operating system

Included cables and accessories	iQ appliance Country-specific power cable USB cable Pen (x4) Eraser
iQ appliance	
Wi-Fi	IEEE 802.11A/B/G/N/Ac with 2 × 2 MIMO (both 2.4 and 5 GHz bands)
Bluetooth®	Bluetooth 4.2 dual mode (backwards compatible with Bluetooth 2.1 + EDR)
Capture options	Establish a Bluetooth wireless connection with a supported mobile device (see below) by scanning the interactive display's unique QR code
Supported languages	Danish Dutch English Finnish French German Italian Korean Norwegian Portuguese Russian Simplified Chinese Spanish Swedish Traditional Chinese Ukrainian Vietnamese
Mounting holes	For a standard VESA 600 mm × 400 mm mounting plate Lower mounting holes 13 3/4" (35 cm) from the bottom of the interactive display
Mounting bracket depth	Minimum depth of 2" (5.1 cm) for all components on the back of the interactive display for airflow

Connectors

Connector panel	<p>OPS slot (for the iQ appliance)</p> <p>Stereo 3.5 mm out</p> <p>S/PDIF out</p> <p>“VGA” input connectors</p> <p>Video: VGA in (1080p)</p> <p>Audio: Stereo 3.5 mm in</p> <p>Touch: USB Type-B</p> <p>“HDMI 1” input connectors</p> <p>Video/audio: HDMI 2.0 in (4K UHD at 60 Hz)</p> <p>Touch: USB Type-B</p> <p>“Display Port” input connectors</p> <p>Video/audio: in (4K UHD at 30 Hz)</p> <p>Touch: USB Type-B</p> <p>USB Type-A³</p> <p>RJ45 (×2)</p>
Convenience panel	<p>“HDMI 2” input connectors</p> <p>Video/audio: HDMI 1.4 in (4K UHD at 30 Hz)</p> <p>Touch: USB Type-B</p> <p>USB Type-A (×2)</p>
Bottom	<p>AC power in</p> <p>AC power out</p> <p>RS-232 in</p> <p>RS-232 out</p>
HDCP support	Version 1.4/2.2

Installation requirements

Interactive display	<p>See the <i>SMART Board 7000 and 7000 Pro series interactive displays installation and maintenance guide</i> (smarttech.com/kb/171164)</p> <hr/> <p>! IMPORTANT</p> <p>The display needs an internet connection for downloading and installing important updates. Ask the network administrator to confirm that the network has been correctly configured for the iQ experience. For more information about network configuration, see Connecting a SMART display with the iQ experience to a network.</p>
SMART Notebook Player mobile app	iOS 10 or later operating system software

³For service use only

SMART kapp® app

Apple devices	iOS 9 or later operating system software 50 MB of storage iPhone 4S or later Third-generation iPad or later First-generation iPad mini or later Fifth-generation iPod touch or later
---------------	---

Android™ devices	Android 4.4.4 (KitKat) or later operating system 50 MB of storage (internal or SD card) 1024 MB of RAM 720p or better screen resolution Bluetooth 2.1 + EDR 3 megapixel or better rear-facing camera (recommended)
------------------	---

SMART kapp viewer

Mobile	Safari for iOS 9 or later operating system software Chrome™ for Android 39.0.2171.93 or later
--------	--

Desktop	Internet Explorer® 10 or later Chrome 39.0.2171.95 or later Firefox® 34.0.5 or later Safari 8.0 or later
---------	---

Room computers and guest laptops

General requirements	See SMART Notebook software release notes
----------------------	---

4K UHD	Video card that can support 3840 × 2160 resolution at 60 Hz and that has 1 GB DDR 5 memory See Minimum requirements for Ultra High Definition or 4K on your interactive flat panel
--------	---

Mini-computers

General requirements	See SMART Notebook software release notes
----------------------	---

Dimensions	Smaller than 10" × 10" × 2" (25.4 cm × 25.4 cm × 5.1 cm)
------------	--

Weight	Less than 10 lb. (4.5 kg)
--------	---------------------------

Mounting	VESA 75 mm × 75 mm or 100 mm × 100 mm mounting pattern
----------	--

Cable requirements

HDMI	Maximum length: 23' (7 m)
-------------	---------------------------

NOTES

- Use only certified HDMI cables that have been tested to support the performance standard you require.
- The performance of cables longer than 23' (7 m) is highly dependent on the cable's quality.

SPECIFICATIONS

SMART BOARD 7075 INTERACTIVE DISPLAY WITH IQ – MODEL SBID-7275

Display Port	Display Port 1.2 compliant or better Maximum length: 23' (7 m)
USB 2.0	USB 2.0 certified Hi-Speed (480 Mbps) support Maximum length: 16' (5 m)
Important	Using cables that exceed these maximum lengths can produce unexpected results, such as degraded picture quality or USB connectivity. Refer to <i>Installation best practices for SMART products</i> (smarttech.com/kb/171035) for comprehensive information about cables and extensions for SMART hardware products.

Storage and operating requirements

Power requirements	100V to 240V AC, 50 Hz to 60 Hz
Interactive display and iQ appliance power consumption at 77°F (25°C)	
Standby mode	<8 W
Normal operating	141 W
Standalone interactive display power consumption at 77°F (25°C)	
Standby mode	<2 W
Normal operating	135 W
Operating temperature	41–95°F (5–35°C)
Storage temperature	-4–140°F (-20–60°C)
Humidity	5–80% relative humidity, non-condensing

Certification and compliance

Regulatory certification	EU RED and LV Directives, ISED, cUL, FCC, UL, RCM, CITIC, TRA
Environmental compliance	
European Union	REACH, RoHS, WEEE, Battery and Packaging
U.S.	CONEG Packaging, California Prop 65
Regulatory models	SBID-7075 and ID7075-1

Purchasing information

Order number	
SBID-7275	SMART Board 7075 interactive display with iQ and SMART Learning Suite
Optional accessories	See smarttech.com/accessories

Warranty Three-year limited equipment warranty

Extended warranty

EWY1-SBID-7275 One-year warranty extension

EWY2-SBID-7275 Two-year warranty extension

smarttech.com/support
smarttech.com/contactsupport

© 2017–2019 SMART Technologies ULC. All rights reserved. SMART Board, SMART kapp, Pen ID, Object Awareness, HyPr Touch, smarttech, the SMART logo and all SMART taglines are trademarks or registered trademarks of SMART Technologies ULC in the U.S. and/or other countries. iPhone, iPad, iPod touch and Safari are trademarks of Apple Inc., registered in the U.S. and other countries. Google Play, Android and Chrome are trademarks of Google Inc. The Bluetooth word mark is owned by the Bluetooth SIG, Inc. and any use of such marks by SMART Technologies ULC is under license. All other third-party product and company names may be trademarks of their respective owners. This product and/or use thereof is covered by one or more of the following U.S. patents: www.smarttech.com/patents. Contents are subject to change without notice. November 14, 2019.