

## Specifications

# SMART Board® 7075 Pro display with iQ and SMART Meeting Pro®

Model SBID-7275P-V2

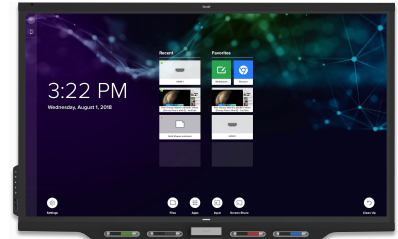
## Overview

The SMART Board® 7075 Pro display with iQ and SMART Meeting Pro® is the hub of your meeting room. PC-free embedded computing provides one-touch access to collaborative tools, including a whiteboard, wireless screen sharing, and a web browser. With minimal network integration, there's no need for wires, cables, or manual software and firmware updates.

The 75" 4K ultra-high-definition LED display provides optimal image clarity and wide viewing angles. With the Pen ID™ feature, you can assign different appearances to the four pens and write or draw over any application in digital ink.

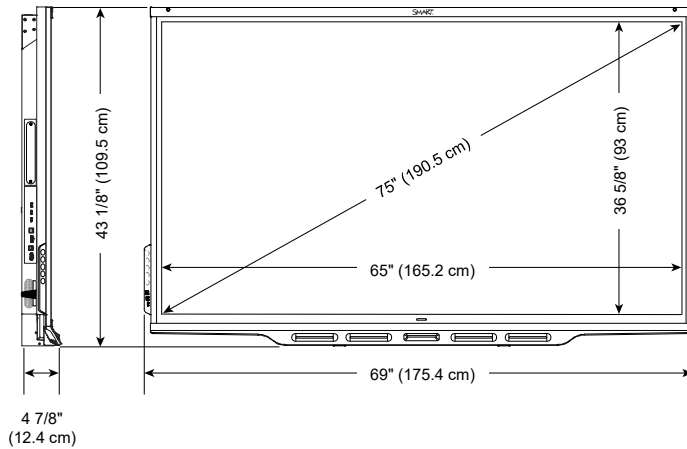
Object Awareness™ allows you to perform mouse functions with your finger, write in digital ink with the pen, and erase with your palm or eraser—all without switching tools or modes. You can use a variety of gestures in applications, and four users can write or draw at the same time.

See [smarttech.com](http://smarttech.com) for more information.



## Dimensions and weights<sup>1</sup>

### Dimensions



### Weight

172 lb. (78 kg)

### Shipping dimensions (including pallet)

75 3/8" × 54 1/4" × 11 3/4"  
(191.6 cm × 137.8 cm × 30 cm)

### Shipping weight

225 lb. (102 kg)



As an ENERGY STAR® certified signage display, the SMART Board 7075 Pro interactive display meets strict energy efficiency guidelines set by the U.S. Environmental Protection Agency and Department of Energy.

<sup>1</sup>All dimensions ± 1/8" (0.3 cm). All weights ± 2 lb. (0.9 kg).

## Hardware

### Interaction

Touch technology	HyPr Touch™ (Hybrid Precision Touch) proprietary hybrid system, which greatly improves upon its InGlass™ core by optimizing both touch and pen performance, resulting in virtually no lag and zero contact detect height
Multitouch capabilities	Up to 16 simultaneous interaction points (combination of 10 finger touch points, four pen touch points and two eraser touch points) <sup>2</sup>
Object Awareness	Behavior adjusts automatically to the tool or object you're using, whether it's a pen, finger, eraser, or palm.
Pen ID	Four people can write independently and simultaneously, using different colored ink.

### Display

Type	LCD with LED back light
Aspect ratio	16:9
Optimal resolution (HDMI inputs)	4K UHD (3840 × 2160) at 60 Hz
Horizontal frequency (typical)	135 kHz
Vertical frequency (typical)	60 Hz
Contrast ratio (typical)	5000:1
Brightness (maximum)	360 cd/m <sup>2</sup>
Pixel dimensions	0.429 mm × 0.429 mm
Viewing angle	178°
Response time (typical)	8 ms

**100BASE-T Ethernet** Two external ports for a four-port Fast Ethernet switched network connecting the interactive display and the OPS module to an external network and an external device, such as a computer

**Wi-Fi** IEEE 802.11A/B/G/N/AC with 2 × 2 MIMO (both 2.4 and 5 GHz bands)

**Bluetooth®** Bluetooth 4.2 dual mode (backwards compatible with Bluetooth 2.1 + EDR)

**Occupancy sensor** Sensor that reduces startup time and power consumption during inactivity

**Audio** 10 W integrated speakers (×2)

**Noise level** <32 dBA

<sup>2</sup>Only up to 10 touch points and no pen or eraser support on Chrome OS™ operating system

<b>Included cables and accessories</b>	Country-specific power cable USB cable Pen (x4) Eraser
<b>Mounting holes</b>	For a standard VESA 600 mm × 400 mm mounting plate Lower mounting holes 13 3/4" (35 cm) from the bottom of the interactive display
<b>Mounting bracket depth</b>	Minimum depth of 2" (5.1 cm) for all components on the back of the interactive display for airflow

## iQ technology

<b>Included apps and features</b>	Customizable Home screen Whiteboard Browser Screen Share File and app libraries Annotation layers
<b>Supported languages</b>	Danish Dutch English Finnish French German Italian Korean Norwegian Portuguese Russian Simplified Chinese Spanish Swedish Traditional Chinese Ukrainian Vietnamese

## Connectors

<b>Side</b>	OPS slot (for standard OPS devices) HDMI 2.0 out USB 2.0 Type-A USB 3.0 Type-A “HDMI 1” input connectors Video/audio: HDMI 2.0 in with HDCP 1.4 and HDCP 2.2 support Touch: USB 3.0 Type-B “HDMI 2” input connectors Video/audio: HDMI 2.0 in with HDCP 1.4 and HDCP 2.2 support Touch: USB 3.0 Type-B
-------------	---

<b>Bottom</b>	RJ45 (×2) S/PDIF out Stereo 3.5 mm out “VGA” input connectors Video: VGA in Audio: Stereo 3.5 mm in Touch: USB 3.0 Type-B AC power in AC power out RS-232 in RS-232 out
<b>Convenience panel</b>	“HDMI 3” input connectors Video/audio: HDMI 2.0 in with HDCP 1.4 and HDCP 2.2 support Touch: USB 3.0 Type-B USB 3.0 Type-A (×2)

## Installation requirements

<b>Interactive display</b>	See the <i>SMART Board 7000 and 7000 Pro series interactive displays installation and maintenance guide</i> ( <a href="http://smarttech.com/kb/171164">smarttech.com/kb/171164</a> )
	<p><b>! IMPORTANT</b></p> <p>The display needs an internet connection for downloading and installing important updates. Ask the network administrator to confirm that the network has been correctly configured for the iQ experience. For more information about network configuration, see <a href="#">Connecting a SMART display with the iQ experience to a network</a>.</p>

### Room computers and guest laptops

General requirements	See <a href="#">SMART Meeting Pro software release notes</a>
Minimum SMART Product Drivers version	<a href="#">Version 12.13</a> (download and install separately from SMART Meeting Pro 4.4)
4K UHD	Video card that can support 3840 × 2160 resolution at 60 Hz and that has 1 GB DDR 5 memory See <a href="#">Minimum requirements for Ultra High Definition or 4K on your interactive flat panel</a>

### Mini-computers

General requirements	See <a href="#">SMART Meeting Pro software release notes</a>
Dimensions	Smaller than 10" × 10" × 2" (25.4 cm × 25.4 cm × 5.1 cm)
Weight	Less than 10 lb. (4.5 kg)
Mounting	VESA 75 mm × 75 mm or 100 mm × 100 mm mounting pattern

## Cable requirements

<b>HDMI</b>	Maximum length: 23' (7 m)
	<p><b>NOTES</b></p> <ul style="list-style-type: none"> <li>• Use only certified HDMI cables that have been tested to support the performance standard you require.</li> <li>• The performance of cables longer than 23' (7 m) is highly dependent on the cable's quality.</li> </ul>
<b>USB 2.0</b>	USB 2.0 certified Hi-Speed (480 Mbps) support Maximum length: 16' (5 m)
<b>USB 3.0</b>	USB 3.0 certified SuperSpeed (5 Gbps) support Maximum length: 9' (3 m)
	<p><b>NOTES</b></p> <ul style="list-style-type: none"> <li>• SMART supports only installations that use a 9' (3 m) direct connection or a 16' (5 m) connection that includes an AC-powered active USB extender.</li> <li>• You might be able to use higher-grade cables that are longer than 9' (3 m). If you have problems with such a cable or an extender of any type, test the connection with a 9' (3 m) or shorter cable before contacting SMART Support.</li> </ul>
<b>Important</b>	Using cables that exceed these maximum lengths can produce unexpected results, such as degraded picture quality or USB connectivity. Refer to <i>Installation best practices for SMART products</i> ( <a href="http://smarttech.com/kb/171035">smarttech.com/kb/171035</a> ) for comprehensive information about cables and extensions for SMART hardware products.

## Storage and operating requirements

<b>Power requirements</b>	100V to 240V AC, 50 Hz to 60 Hz
<b>Power consumption at 77°F (25°C)</b>	
Standby mode	<2.0 W with full network capability
Normal operating	142 W
<b>Operating temperature</b>	41–95°F (5–35°C)
<b>Storage temperature</b>	-4–140°F (-20–60°C)
<b>Humidity</b>	5–80% relative humidity, non-condensing

## Certification and compliance

<b>Regulatory certification</b>	EU RED and LV Directives, ISED, FCC, cUL, UL, CITIC, EAC, MIC, VCCI, RCM, SIRIM, TRA
<b>Regulatory model</b>	ID7075-2

**Environmental compliance**

European Union	REACH, RoHS, Battery Directive, Packaging Directive, POP
U.S.	CONEG Packaging, California Prop 65

**Purchasing information**

**Order number**

SBID-7275P-V2	SMART Board 7075 Pro display with iQ and SMART Meeting Pro
SBID-7275P-V2-W	SMART Board 7075 Pro display (white) with iQ and SMART Meeting Pro

**Optional accessories**

UGK-AM50-PRO	AM50 appliance with Intel® Compute Card for SMART Board Pro interactive displays
UGK-PCM8	PCM8 OPS PC for SMART Board interactive displays
Other	See <a href="http://smarttech.com/accessories">smarttech.com/accessories</a>

**Warranty**

Three-year limited equipment warranty

**Extended warranty**

EWY1-SBID-7275P	One-year warranty extension
EWY2-SBID-7275P	Two-year warranty extension

smarttech.com/support  
 smarttech.com/contactsupport

© 2019 SMART Technologies ULC. All rights reserved. SMART Meeting Pro, Pen ID, Object Awareness, HyPr Touch, smarttech, the SMART logo and all SMART taglines are trademarks or registered trademarks of SMART Technologies ULC in the U.S. and/or other countries. The Bluetooth word mark is owned by the Bluetooth SIG, Inc. and any use of such marks by SMART Technologies ULC is under license. All other third-party product and company names may be trademarks of their respective owners. This product and/or use thereof is covered by one or more of the following U.S. patents: [www.smarttech.com/patents](http://www.smarttech.com/patents). Contents are subject to change without notice. September 4, 2019.