



SMART Board[®] MX (V5) Pro series with iQ, TAA

Available in North America



| Display | |
|-----------------------------------|--|
| Screen sizes (diagonal) | 55" 65" 75" 86" |
| Backlight | LED |
| Aspect ratio | 16:9 |
| Maximum display resolution | 4K UHD (3840 × 2160) |
| Refresh rate | 60 Hz |
| Lifespan | ≥ 50,000 hours |
| Brightness¹ | 55": 300 cd/m ² 65", 75", 86": 400 cd/m ² |
| Display response time | ≤ 8 ms |
| Viewing angle | 178° |
| Glass | 55": Full heat-tempered Anti-glare Anti-fingerprint 65", 75", 86": Full heat-tempered Anti-glare Anti-fingerprint Bonded |
| Frame color | White |
| Convenience buttons | Power Home Volume Input select Screen shade Freeze frame |
| Sensors | |
| Audio | 55": 2 integrated 15 W speakers 65", 75", 86": 2 integrated 20 W speakers Integrated linear six-microphone array with support for onboard acoustic echo cancellation |

NFC

Integrated RFID NFC reader/writer
 CCID (chip card interface device) when used with a native operating system driver for Windows[®], Linux[®], or Mac
 Supported protocols: ISO 14443A/B, ISO 15693, NFC Tag 1-4

Interactive experience

| | |
|------------------------------------|--|
| Touch technology | HyPr Touch™ with Advanced IR |
| Touch features | Simultaneous tool differentiation Object Awareness™ Silktouch™ |
| Typical touch response time | ≤ 5 ms |
| Frame rate | ≥ 200 Hz |
| Accuracy | 1 mm |
| Minimum object size | 2 mm |
| Multitouch capabilities | Up to 50 touch points (OS dependent) |
| Tools included | Pens (x2) |
| Tool holders | Magnetic Frame-mounted |

Software

| | |
|-----------------|--|
| Included | iQ embedded Android™ OS SMART Meeting Pro [®] <ul style="list-style-type: none"> Room license Personal licenses (x10) SMART Remote Management ² |
| Optional | SMART TeamWorks™ |

¹Brightness of individual displays can vary.

²Subscription for the length of the included warranty

| iQ embedded Android OS | |
|--|--|
| Operating system | Android version 13.0 Supports an automatic update to Android 15 |
| CPU | Octa-core |
| Memory | 8 GB DDR4 |
| OS architecture | 64-bit |
| Storage | 64 GB (up to 576 GB) |
| User interface | 4K UHD (3840 × 2160) |
| Digital whiteboard | ✓ |
| Web browser | ✓ |
| Screen sharing | ✓ |
| Google Play™ Protect Certified | ✓ |
| Google Play Store | ✓ |
| Other features | Personalized home screen and settings Input select Split screen Picture-in-picture (PIP) with touch pass-through File and app libraries |
| Ability to run third-party applications | ✓ |
| Cloud storage access | ✓ |
| NFC sign in to a SMART Account | ✓ |
| Device-based sign in to a SMART Account | ✓ |
| Languages supported | Basque Catalan/Valencian Chinese (simplified) Chinese (traditional) Czech Danish Dutch English Estonian Finnish French Galician German Greek Hungarian Italian Japanese Korean Latvian Lithuanian Norwegian Polish Portuguese Romanian Russian Slovak Slovenian Spanish Swedish Ukrainian Vietnamese Welsh |
| Updates | Automatic over-the-air (OTA) |

| PC computing | |
|--------------------------------------|---|
| OPS support³ | SMART PCM modules |
| PC module power supported OPS | 85 W |
| Optional computing module | See > smarttech.com/accessories |

| Inputs | Front | Back |
|---|-------|------|
| OPS PC accessory slot | – | 1 |
| microSD slot with security cover | – | 1 |
| HDMI® 2.1 4K @ 60Hz with HDCP 1.4, HDCP 2.3, ARC, and eARC support ⁴ | 1 | 3 |
| VGA video | – | 1 |
| Stereo 3.5 mm (variable) | – | 1 |
| RS-232 (DB-9 connector) | – | 1 |
| RJ45 (LAN In) | – | 1 |
| USB Type-C 4K @ 60Hz Display Port 1.2, HDCP 2.3 and HDCP 1.3, USB 2.0 (UFP) for touch and digital audio, USB 3.2 Gen 1 (DFP) for peripherals; 27 W power delivery | 1 | – |
| USB Type-C, 4K @ 60Hz, Display Port 1.2, USB 2.0 (UFP) for touch and digital audio, USB 3.2 Gen 1 (DFP) for peripherals; 65W power delivery | – | 1 |
| USB 2.0 Type-A | – | 1 |
| USB 3.2 Gen 1 Type-A | 2 | 2 |
| USB 3.2 Gen 1 Type-B | 1 | 3 |

| Outputs | Front | Back |
|--|-------|------|
| HDMI 2.1 4K @ 60Hz with HDCP 2.3 support | – | 1 |
| USB Type-C 4K @ 60Hz DisplayPort 1.4a, HDCP 2.3 and HDCP 1.3, USB 3.2 Gen 1 (DFP) for touch ingest and peripherals; 4.5 W power delivery | – | 1 |
| Stereo 3.5 mm (variable) | – | 1 |
| S/PDIF optical (fixed) | – | 1 |
| RJ45 (LAN Out) | – | 1 |

³The support and performance of third-party OPS (Open Pluggable Specification) and OPS-C modules may vary. Conduct proper compatibility testing to avoid potential issues.

⁴ARC and eARC support are available only with the HDMI 2 input.

| Included cables and accessories | Qty |
|---|-----|
| Country-specific power cable | 1 |
| 16' 5" (5 m) USB 2.0 A to B cable | 1 |
| 6' (1.8 m) USB 3.2 Gen 1 Type-C cable, 5A | 1 |
| Pens | 2 |
| External tri-band Wi-Fi (2.4, 5, and 6-7.2 GHz) and Bluetooth® (2.4 GHz) antennas | 2 |
| Remote control | 1 |
| AAA batteries | 2 |
| Illustrated installation instructions | 1 |
| Important information document | 1 |

Connectivity

| | |
|------------------|--|
| Wired | RJ45 (×2) 1000BASE-T |
| Wi-Fi | IEEE 802.11ax (Wi-Fi 6e) supporting WPA, WPA2, WPA3 PSK, and 802.1X EAP authentication protocols |
| Bluetooth | 5.2 dual mode |

Storage and operating requirements

| | |
|------------------------------|---|
| Power requirements | 100V to 240V AC, 50 Hz to 60 Hz |
| Operating temperature | 41–95°F (5–35°C) |
| Storage temperature | –4–140°F (–20–60°C) |
| Humidity | 5–80% relative humidity, non-condensing |

Power consumption

| | |
|----------------|------------|
| Typical | 55": 72 W |
| | 65": 90 W |
| | 75": 103 W |
| | 86": 149 W |
| Standby | 0.2 W |

Certification and compliance

| | |
|--------------------------------|--|
| Regulatory models | IDX55-5 IDX65-5 IDX75-5 IDX86-5 |
| US / Canada | UL FCC ISED TSCA CONEG Packaging Proposition 65 |
| EU / EEA / EFTA / UK | CE UKCA LVD CB EMC RED REACH RoHS Battery WEEE Packaging POP Ecodesign |
| Australia / New Zealand | RCM RSM |
| Performance standards | ENERGY STAR® HDMI HDCP |
| Country of origin | Mexico |

Purchasing information

Order numbers

| | |
|--------------------|--|
| MX555-V5-PW | SMART Board® MX055-V5 Pro interactive display with iQ, TAA |
| MX565-V5-PW | SMART Board MX065-V5 Pro interactive display with iQ, TAA |
| MX575-V5-PW | SMART Board MX075-V5 Pro interactive display with iQ, TAA |
| MX586-V5-PW | SMART Board MX086-V5 Pro interactive display with iQ, TAA |

Optional accessories

| | |
|--------------------------|---|
| WM-SBID-200 | SMART Wall Mount for SMART MX series interactive displays |
| SWC-120UHD | SMART Ultra HD Camera 120 |
| Other accessories | See > smarttech.com/accessories |

SMART Warranty

Terms and conditions and warranty upgrade options vary by region. Visit smarttech.com/warranty or contact your reseller for information.

Cable requirements

See > *SMART cables and connectors guide* (docs.smarttech.com/kb/171926)



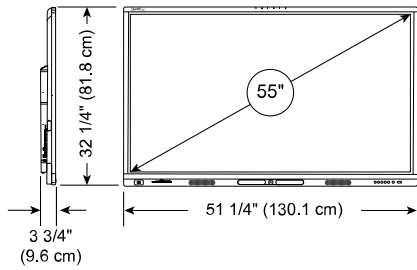
Installation, dimensions, and weights

Notes

- All dimensions $\pm 1/8"$ (0.3 cm). All weights ± 2 lb. (0.9 kg). All dimensions and weight values are preliminary and subject to change.
- Product ships upright.
- Leave space around the display to ensure adequate ventilation.

55" models

Dimensions



Weight

71 lb. (32 kg)

Shipping dimensions (including pallet)

56 1/8" x 43 3/4" x 6 1/4"
(142.5 cm x 111 cm x 16 cm)

Shipping weight

103 lb. (47 kg)

VESA mount

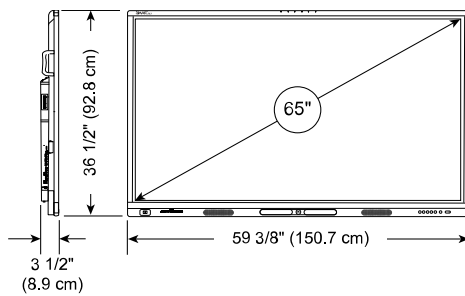
M8 | 400 x 400 mm

Handles

-

65" models

Dimensions



Weight

89 lb. (40 kg)

Shipping dimensions (including pallet)

63 3/4" x 45 7/8" x 6 1/4"
(162 cm x 116.5 cm x 16 cm)

Shipping weight

124 lb. (56 kg)

VESA mount

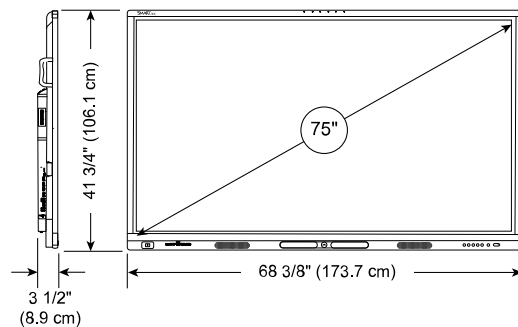
M8 | 600 x 400 mm

Handles

2

75" models

Dimensions



Weight

119 lb. (54 kg)

Shipping dimensions (including pallet)

71 5/8" x 50 5/8" x 6 1/4"
(182 cm x 128.5 cm x 16 cm)

Shipping weight

159 lb. (72 kg)

VESA mount

M8 | 800 x 400 mm

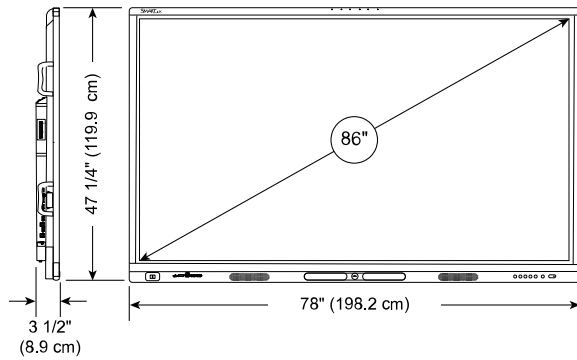
Handles

2

Installation, dimensions, and weights (continued)

86" models

Dimensions



Weight

150 lb. (68 kg)

Shipping dimensions (including pallet)

85 1/4" × 56 7/8" × 6 1/4"
(216.5 cm × 144.5 cm × 16 cm)

Shipping weight

207 lb. (94 kg)

VESA mount

M8 | 800 × 600 mm

Handles

4

smarttech.com
smarttech.com/contact

© 2026 SMART Technologies ULC. All rights reserved. SMART Board, SMART Meeting Pro, SMART TeamWorks, SMART Ink, HyPr Touch, Simultaneous Tool Differentiation, Object Awareness, SilkTouch, smarttech, the SMART logo and all SMART taglines are trademarks or registered trademarks of SMART Technologies ULC in the US and/or other countries. The Adopted Trademarks HDMI, HDMI High-Definition Multimedia Interface, and the HDMI Logo are trademarks or registered trademarks of HDMI Licensing Administrator, Inc. in the United States and other countries. The Bluetooth word mark is owned by the Bluetooth SIG, Inc. and any use of such marks by SMART Technologies ULC is under license. Android and Google Play are trademarks of Google Inc. All other third-party product and company names may be trademarks of their respective owners. This product and/or use thereof is covered by one or more of the following US patents: www.smarttech.com/patents. Contents are subject to change without notice. April 24, 2026.