

# SMART Board® MX Pro (V4) series



Display	
<b>Screen sizes (diagonal)</b>	55"   65"   75"   86"
<b>Backlight</b>	LED
<b>Aspect ratio</b>	16:9
<b>Maximum display resolution</b>	4K UHD (3840 × 2160)
<b>Refresh rate</b>	60 Hz
<b>Lifespan</b>	≥ 50,000 hours
<b>Brightness<sup>1</sup></b>	55": 300 cd/m <sup>2</sup> 65", 75", 86": 400 cd/m <sup>2</sup>
<b>Display response time</b>	≤ 8 ms
<b>Viewing angle</b>	178°
<b>Glass</b>	55": Full heat-tempered   Anti-glare 65", 75", 86": Full heat-tempered   Anti-glare   Bonded
<b>Frame color</b>	White
<b>Convenience buttons</b>	Power   Home   Volume   Input select   Screen shade   Freeze frame
<b>Sensors</b>	Ambient light   Infrared
<b>Audio</b>	55": 2 integrated 15 W speakers 65", 75", 86": 2 integrated 20 W speakers

Interactive experience	
<b>Touch technology</b>	HyPr Touch™ with Advanced IR
<b>Touch features</b>	Simultaneous Tool Differentiation™ Object Awareness™ Silktouch™
<b>Typical touch response time</b>	≤ 5 ms
<b>Frame rate</b>	≥ 200 Hz
<b>Accuracy</b>	1 mm
<b>Minimum object size</b>	2 mm
<b>Multitouch capabilities</b>	20 – Windows®, Mac, and Android™ 10 – Chrome OS™
<b>Tools included</b>	Pens (×2)
<b>Tool holders</b>	Magnetic   Frame-mounted
Software	
<b>Included</b>	SMART Meeting Pro® <ul style="list-style-type: none"> <li>• Room license</li> <li>• Personal licenses (×10)</li> </ul> SMART Product Drivers and SMART Ink® SMART Remote Management <sup>2</sup>
<b>Sold separately</b>	SMART TeamWorks™

<sup>1</sup>Brightness of individual displays can vary.

<sup>2</sup>Subscription for the length of the included warranty

PC computing	
<b>OPS support<sup>3</sup></b>	SMART PCM modules
<b>PC module power supported OPS</b>	60 W
<b>Optional computing module</b>	See > <a href="http://smarttech.com/accessories">smarttech.com/accessories</a>

Inputs	Front	Back
OPS PC accessory slot (60 W devices)	–	1
HDMI® 2.1 with HDCP 1.4 and HDCP 2.3 support	1	2
VGA video	–	1
Stereo 3.5 mm (variable)	–	1
RS-232 (DB-9 connector)	–	1
RJ45 (LAN IN)	–	1
USB Type-C 4K @ 60Hz Display Port 1.2, USB 2.0 (UFP) for touch and digital audio, USB 3.2 Gen 1 (DFP) for peripherals; 15 W power delivery	1	–
USB Type-C, 4K @ 60Hz, Display Port 1.2, USB 2.0 (UFP) for touch and digital audio, USB 3.2 Gen 1 (DFP) for peripherals; 65W power delivery	–	1
USB 2.0 Type-A	–	1
USB 3.2 Gen 1 Type-A	2	2
USB 3.2 Gen 1 Type-B	1	3

Outputs	Front	Back
HDMI 2.1 with HDCP 2.3 support	–	1
Stereo 3.5 mm (variable)	–	1
S/PDIF optical (fixed)	–	1
RJ45 (LAN OUT)	–	1

<sup>3</sup>The support and performance of third-party OPS (Open Pluggable Specification) and OPS-C modules may vary. Conduct proper compatibility testing to avoid potential issues.

Included cables and accessories	Qty
Country-specific power cable	1
16' 5" (5 m) USB 2.0 A to B cable	1
Pens	2
Remote control	1
AAA batteries	2
Illustrated installation instructions	1
Important information document	1

Connectivity	
<b>Wired</b>	RJ45 (x2) 1000baseT

Storage and operating requirements	
<b>Power requirements</b>	100V to 240V AC, 50 Hz to 60 Hz
<b>Operating temperature</b>	41–95°F (5–35°C)
<b>Storage temperature</b>	–4–140°F (–20–60°C)
<b>Humidity</b>	5–80% relative humidity, non-condensing

Power consumption	
<b>Typical</b>	55": 88 W 65": 124 W 75": 142 W 86": 177 W
<b>Standby</b>	<0.5 W

Certification and compliance <sup>4</sup>	
<b>US / Canada</b>	UL   FCC   ISED   TSCA   CONEG Packaging   Proposition 65
<b>EU / EEA / EFTA / UK</b>	CE   UKCA   LVD   CB   EMCD   RED   REACH   RoHS   Battery   WEEE   Packaging   POP   Ecodesign
<b>Australia / New Zealand</b>	RCM
<b>Performance standards</b>	ENERGY STAR®   HDMI   HDCP

<sup>4</sup>Product availability may vary by region. This product has received additional certifications not listed here.

## Purchasing information

### Order numbers

<b>SBID-MX655-V4-PW</b>	SMART Board® MX655-V4 Pro series interactive display, high secure – White
<b>SBID-MX665-V4-PW</b>	SMART Board MX665-V4 Pro series interactive display, high secure – White
<b>SBID-MX675-V4-PW</b>	SMART Board MX675-V4 Pro series interactive display, high secure – White
<b>SBID-MX686-V4-PW</b>	SMART Board MX686-V4 Pro series interactive display, high secure – White

### Optional accessories

<b>WM-SBID-200</b>	SMART Wall Mount for SMART MX series interactive displays
<b>Other accessories</b>	See > <a href="https://smarttech.com/accessories">smarttech.com/accessories</a>

### Warranty

<b>SMART Assure warranty</b>	Terms and conditions and warranty upgrade options vary by region. Visit <a href="https://smarttech.com/warranty">smarttech.com/warranty</a> or contact your reseller for information.
------------------------------	---

### Cable requirements

<b>HDMI</b>	Certified premium high speed HDMI (18 Gbps) Maximum length: 23' (7 m)
<b>USB 2.0</b>	USB 2.0 certified Hi-Speed (480 Mbps) support Maximum length: 16' (5 m)
<b>USB 3.2 Gen 1</b>	USB 3.2 Gen 1 certified SuperSpeed (5 Gbps) support Maximum length: 9' (3 m)
<b>USB Type-C</b>	USB 3.2 Gen 1 certified SuperSpeed (5 Gbps) support Maximum length: 6' (2 m)
<b>More information</b>	See > <a href="https://docs.smarttech.com/kb/171870">docs.smarttech.com/kb/171870</a>

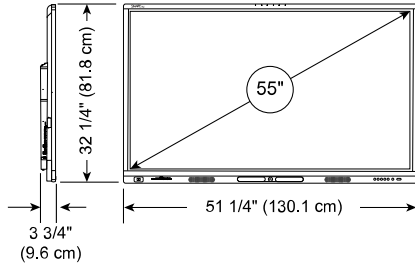
**Installation, dimensions, and weights**

**Notes**

- All dimensions ± 1/8" (0.3 cm). All weights ± 2 lb. (0.9 kg).
- Product ships upright.

**55" models**

**Dimensions**



**Weight**

71 lb. (32 kg)

**Shipping dimensions (including pallet)**

56 1/8" × 43 3/4" × 6 1/4"  
(142.5 cm × 111 cm × 16 cm)

**Shipping weight**

103 lb. (47 kg)

**VESA mount**

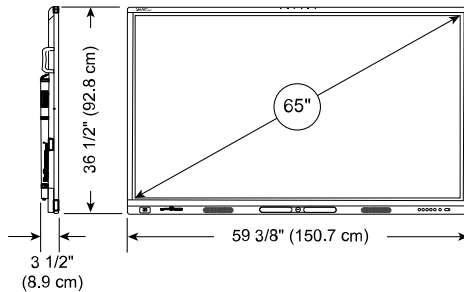
M8, 400 × 400 mm

**Handles**

0

**65" models**

**Dimensions**



**Weight**

89 lb. (40 kg)

**Shipping dimensions (including pallet)**

63 3/4" × 45 7/8" × 6 1/4"  
(162 cm × 116.5 cm × 16 cm)

**Shipping weight**

124 lb. (56 kg)

**VESA mount**

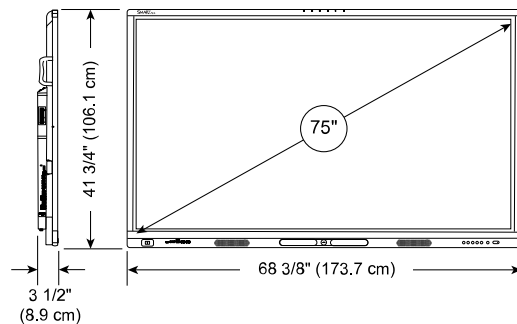
M8, 600 × 400 mm

**Handles**

2

**75" models**

**Dimensions**



**Weight**

119 lb. (54 kg)

**Shipping dimensions (including pallet)**

71 5/8" × 50 5/8" × 6 1/4"  
(182 cm × 128.5 cm × 16 cm)

**Shipping weight**

159 lb. (72 kg)

**VESA mount**

M8, 800 × 400 mm

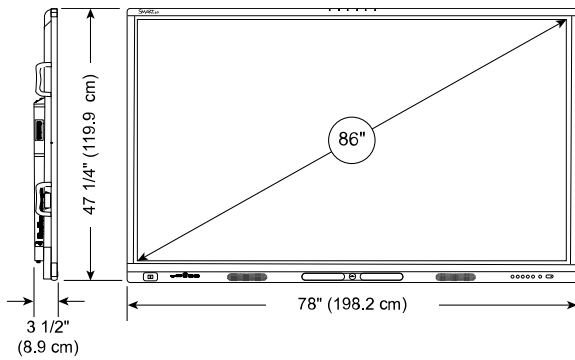
**Handles**

2

## Installation, dimensions, and weights (continued)

### 86" models

#### Dimensions



#### Weight

150 lb. (68 kg)

#### Shipping dimensions (including pallet)

85 1/4" × 56 7/8" × 6 1/4"  
(216.5 cm × 144.5 cm × 16 cm)

#### Shipping weight

207 lb. (94 kg)

#### VESA mount

M8, 800 × 600 mm

#### Handles

4

[smarttech.com](http://smarttech.com)  
[smarttech.com/contact](http://smarttech.com/contact)

© 2023 SMART Technologies ULC. All rights reserved. SMART Board, SMART Meeting Pro, SMART TeamWorks, SMART Ink, HyPr Touch, Simultaneous Tool Differentiation, Object Awareness, SilkTouch, smarttech, the SMART logo and all SMART taglines are trademarks or registered trademarks of SMART Technologies ULC in the U.S. and/or other countries. The Adopted Trademarks HDMI, HDMI High-Definition Multimedia Interface, and the HDMI Logo are trademarks or registered trademarks of HDMI Licensing Administrator, Inc. in the United States and other countries. Android and Chrome OS are trademarks of Google Inc. All other third-party product and company names may be trademarks of their respective owners. This product and/or use thereof is covered by one or more of the following U.S. patents: [www.smarttech.com/patents](http://www.smarttech.com/patents). Contents are subject to change without notice. December 1, 2023.