

Specifications

SMART Board® Interactive Whiteboard

Model SB685

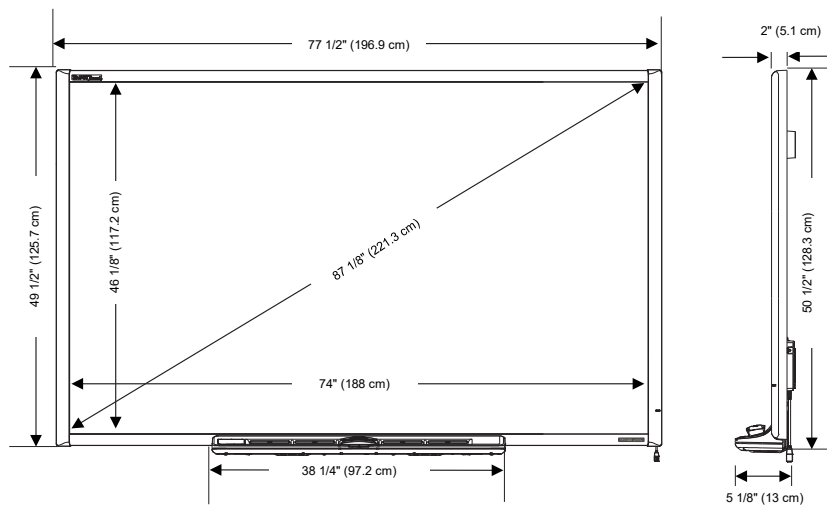
Overview

Your SMART Board 600 or D600 series product is a touch sensitive, front projection interactive whiteboard. It enables you to do everything that you can do at your computer—open and close applications, scroll through files, conference with others, create new documents or edit existing ones, visit websites, play video clips and more—by touching the screen. You can also write over any application in digital ink using a pen tray pen or your finger, and then save these notes to a .notebook file for future reference and distribution.

See smarttech.com for more information on this product.

Dimensions and weights¹

Dimensions



Weight

42 lb. (19.1 kg)

Shipping dimensions

54" W × 86 1/4" H × 5 1/2" D
(137.2 cm × 219.1 cm × 14 cm)

Shipping weight

63 lb. (28.6 kg)

¹All dimensions ± 1/8" (0.3 cm). All weights ± 2 lb. (0.9 kg).

Standard features

Software	You can install SMART Learning Suite, including SMART Notebook® collaborative learning software, SMART Product Drivers, and SMART Ink®, from smarttech.com/downloads . Software upgrades are also available.
Pen tray	Optical sensors in the pen tray detect when a pen or eraser is lifted from the tray. LEDs show the active tool(s).
Pens and eraser	Black, blue, red and green pen tray pens and a rectangular eraser
Resolution	Touch resolution is approximately 4000 × 4000.
Screen surface	The hard-coated polyester surface is tear proof, optimized for projection, compatible with dry-erase markers and is easily cleaned with whiteboard cleaner.
Digitizing technology	Resistive technology
Frame finish	Two-tone gray (approximates PANTONE® Charcoal Gray 18-0601 TPX) and Ultrasonic Chrome (approximates metallic Pantone 877 C)
Wall mount bracket	
Computer connection	5 m USB 2.0 cable
Power requirements	Power is obtained from the computer directly through the USB cable. Power consumption is less than 1.5 W (300mA at 5V).

Storage and operating specifications

Storage	-40°F (-40°C) to 122°F (50°C)
Operation	41°F (5°C) to 95°F (35°C) with up to 80% humidity, non-condensing

Certification and compliance

Regulatory certification and Environmental compliance	CSA (U.S./Canada), CE, CB (TUV), China EIP, EU RoHS, WEEE and VCCI
--	--

Purchasing information

Order numbers	
SB685	87 1/8" (221.3 cm) diagonal SMART Board interactive whiteboard
Optional accessories	See smarttech.com/accessories
Warranty	Five-year limited equipment warranty upon registration. See included warranty document for details.

Optional accessories

Part number	Description	NA	UK	AU
RS232-XX	RS-232 to USB conversion module that allows a serial connection to the interactive whiteboard as an alternative to USB	✓	✓	
WC6D-XX	Wireless Bluetooth® connection between the SMART Board interactive whiteboard and the computer	✓	✓	
SBA-XX*	USB audio system with two 15 W speakers mounts on your interactive whiteboard or the wall	✓	✓	✓
SYSON6-XX*	SystemOn expansion module wakes up your computer and turns on your projector with one button press	✓	✓	
USB-GW	GoWire™ SMART Notebook software auto-launch cable			
USB-XT	16' (5 m) USB active extension cable			
CAT5-XT	Cat 5 to USB cable extender set			
RPEN-ER	Replacement set of four pen tray pens (black, red, green and blue) and a rectangular eraser			
RPEN	Replacement set of four pen tray pens (black, red, green and blue)			

*Part numbers ending in XX include region-specific power supplies for the countries or regions indicated by ✓ at the right. When ordering, substitute XX in the part number with the appropriate country code, as follows:

- NA = U.S. and Canada
- UK = United Kingdom
- EU = European Union
- AU = Australia

smarttech.com/support
smarttech.com/contactsupport

© 2020 SMART Technologies ULC. All rights reserved. SMART Board, smarttech, the SMART logo and all SMART taglines are trademarks or registered trademarks of SMART Technologies ULC in the U.S. and/or other countries. All third-party product and company names may be trademarks of their respective owners. This product and/or use thereof is covered by one or more of the following U.S. patents: www.smarttech.com/patents. Contents are subject to change without notice. December 15, 2020.